

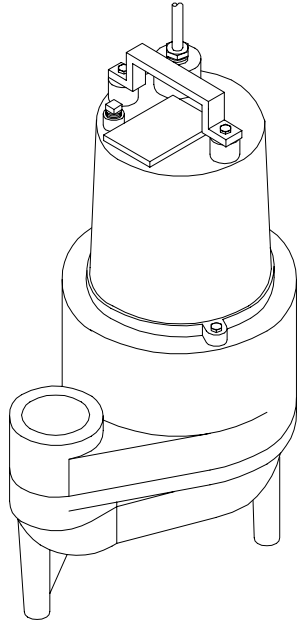
# Series EHV

3/4" Spherical Solids Handling  
Manual & Automatic

# BARNES®

www.cranepumps.com

## Submersible Effluent Pumps



### Specifications:

DISCHARGE .....	2" NPT, Female, Vertical
LIQUID TEMPERATURE .....	77°F (25°C) Continuous
MOTOR HOUSING .....	Cast Iron
PUMP BODY .....	Cast Iron
IMPELLER: <i>Design</i> .....	Multi-Vane, Vortex
<i>Material</i> .....	Cast Iron
SHAFT .....	420 Stainless Steel
O-RINGS .....	Buna-N
HARDWARE .....	300 Series Stainless Steel
PAINT .....	Air Dry Enamel
SEAL: <i>Design</i> .....	Single Mechanical, Oil Filled Reservoir
<i>Material</i> .....	Carbon/Ceramic/Buna-N
	Hardware -300 Series Stainless
CORD ENTRY .....	20 ft. (6m) Cord with plug and pressure Grommet for sealing and strain relief
UPPER BEARING.....	Single Row, Ball
LOWER BEARING.....	Single Row, Ball
MOTOR: <i>Design</i> .....	Oil Filled
<i>Insulation</i> .....	Class B
SINGLE PHASE.....	Permanent Split Capacitor (PSC) Includes Overload Protection in Motor
LEVEL CONTROL:	
EHV412 .....	None
EHV412A .....	Wide Angle, Mechanical, 20 ft (6m) cord Pipe Mounted
EHV412VF .....	Vertical Float, PVC, Snap Action
EHV412AT .....	Wide Angle, Mechanical, 20 ft (6m) cord Pump Mounted

**Series: EHV**  
**.5HP, 3450RPM, 60Hz**



### DESCRIPTION:

PUMP IS DESIGNED FOR HANDLING SEWAGE EFFLUENT IN TYPICAL SEPTIC TANK/EFFLUENT APPLICATIONS.

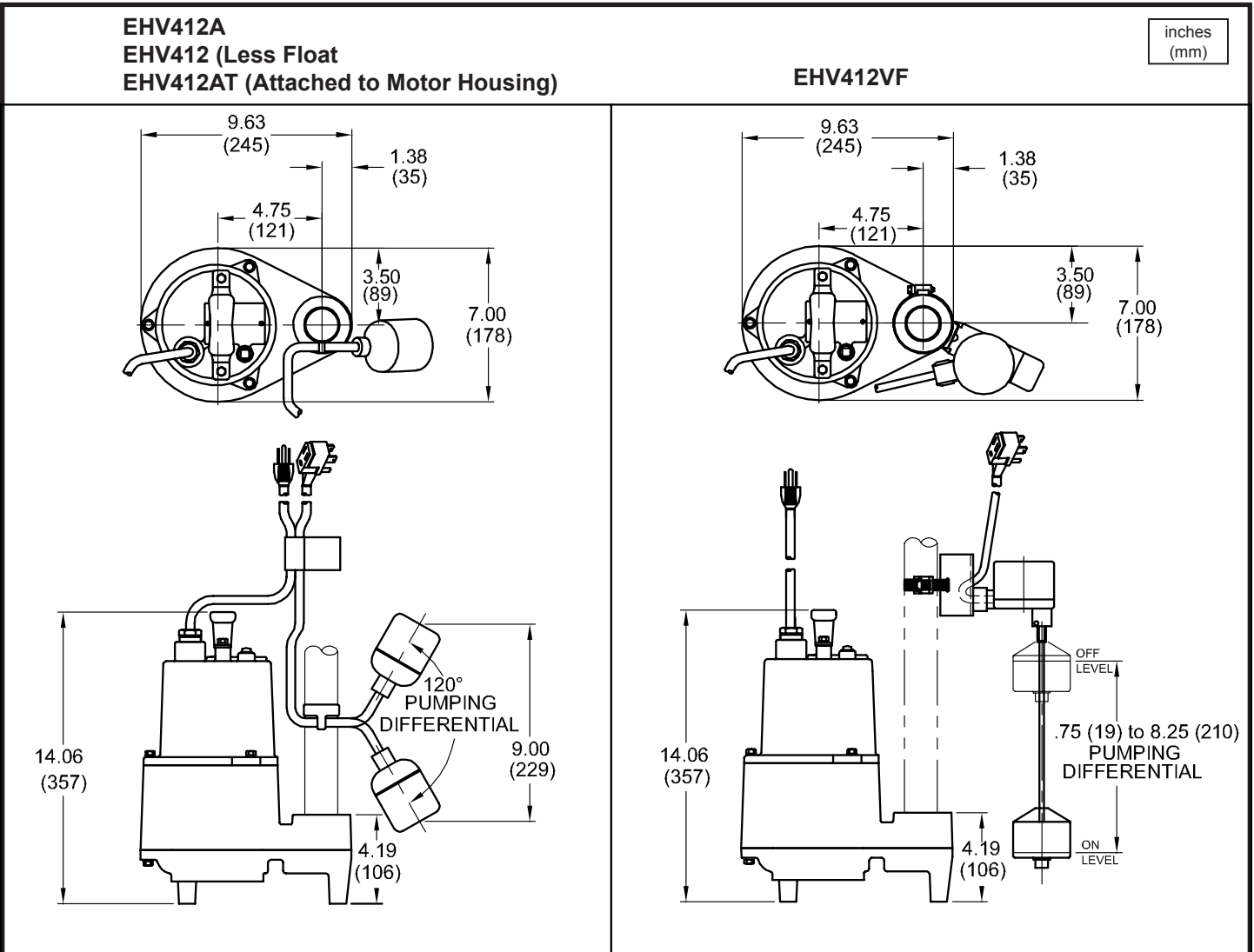
SECTION 3A  
PAGE 22  
DATE 6/04

**CRANE**  
A Crane Co. Company

**PUMPS & SYSTEMS**

USA: (937) 778-8947 • Canada: (905) 457-6223 • International: (937) 615-3598

### Submersible Effluent Pumps



MODEL NO	PART NO	HP	VOLT/PH	Hz	RPM (Nom)	NEMA START CODE	FULL LOAD AMPS	CORD LENGTH	CORD SIZE	CORD TYPE
EHV412	101298	0.5	115/1	60	3450	H	6.4	20 ft. (6m)	14/3	SJTOW
EHV412A	103542	0.5	115/1	60	3450	H	6.4	20 ft. (6m)	14/3	SJTOW
EHV412VF	101300	0.5	115/1	60	3450	H	6.4	20 ft. (6m)	14/3	SJTOW
EHV412AT	103543	0.5	115/1	60	3450	H	6.4	20 ft. (6m)	14/3	SJTOW
EHV412	101298G	0.5	115/1	60	3450	H	6.4	30 ft. (9m)	14/3	SJTOW

**IMPORTANT !**

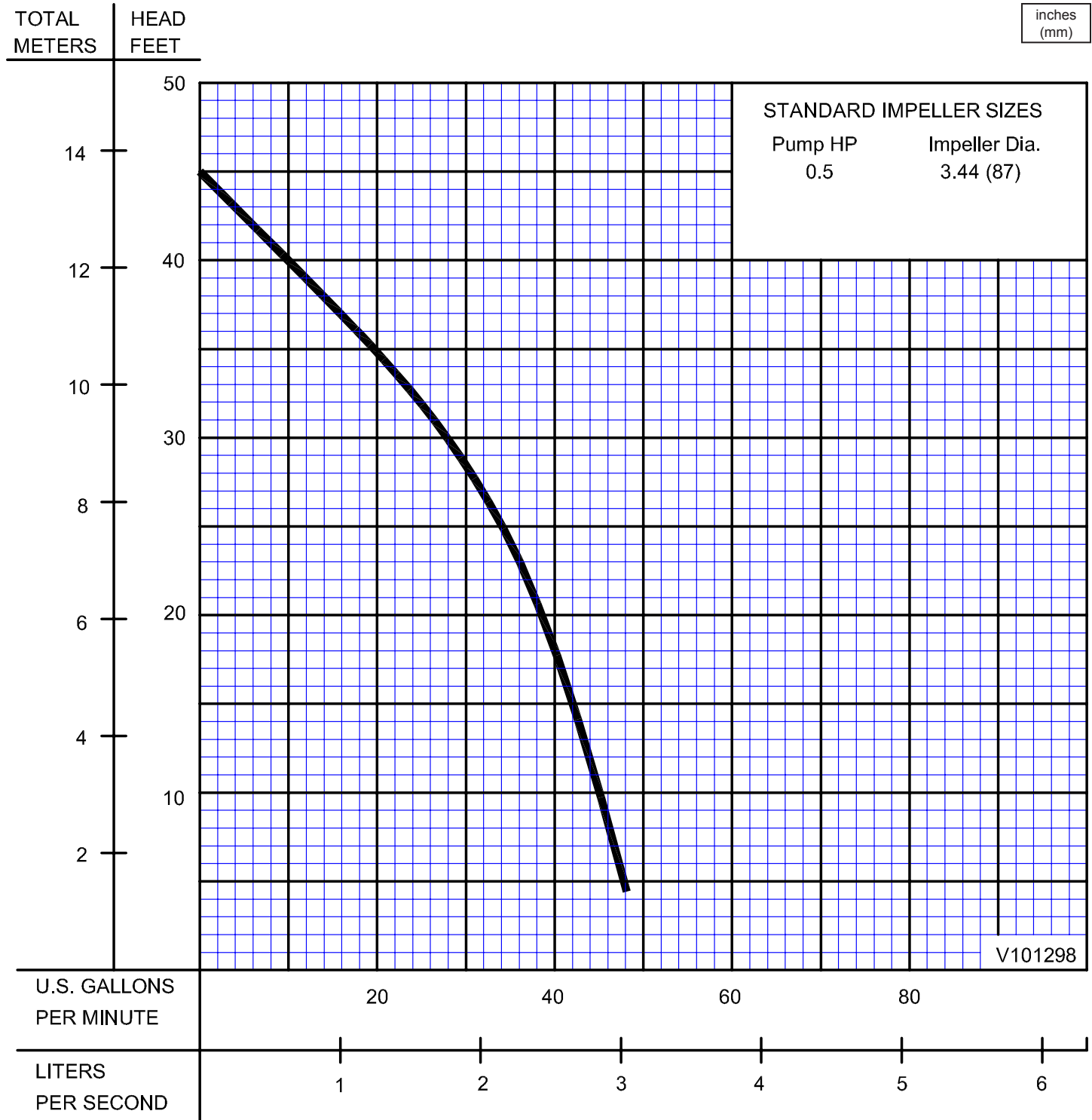
- 1.) PUMP MAY BE OPERATED "DRY" FOR EXTENDED PERIODS WITHOUT DAMAGE TO MOTOR AND/OR SEALS.
- 2.) THIS PUMP IS APPROPRIATE FOR THOSE APPLICATIONS SPECIFIED AS CLASS I DIVISION II HAZARDOUS LOCATIONS.
- 3.) THIS PUMP IS NOT APPROPRIATE FOR THOSE APPLICATIONS SPECIFIED AS CLASS I DIVISION I HAZARDOUS LOCATIONS.
- 4.) INSTALLATIONS SUCH AS DECORATIVE FOUNTAINS OR WATER FEATURES PROVIDED FOR VISUAL ENJOYMENT MUST BE INSTALLED IN ACCORDANCE WITH THE NATIONAL ELECTRIC CODE ANSI/NFPA 70 AND/OR THE AUTHORITY HAVING JURISDICTION. THIS PUMP IS NOT INTENDED FOR USE IN SWIMMING POOLS, RECREATIONAL WATER PARKS, OR INSTALLATIONS IN WHICH HUMAN CONTACT WITH PUMPED MEDIA IS A COMMON OCCURRENCE.

**Series EHV**  
 Performance Curve  
 .5HP, 3450RPM, 60Hz

**BARNES®**

www.cranepumps.com

**Submersible Effluent Pumps**



Testing is performed with water, specific gravity 1.0 @ 68° F @ (20°C), other fluids may vary performance

SECTION 3A  
 PAGE 24  
 DATE 6/04

**CRANE®**

A Crane Co. Company

**PUMPS & SYSTEMS**

USA: (937) 778-8947 • Canada: (905) 457-6223 • International: (937) 615-3598